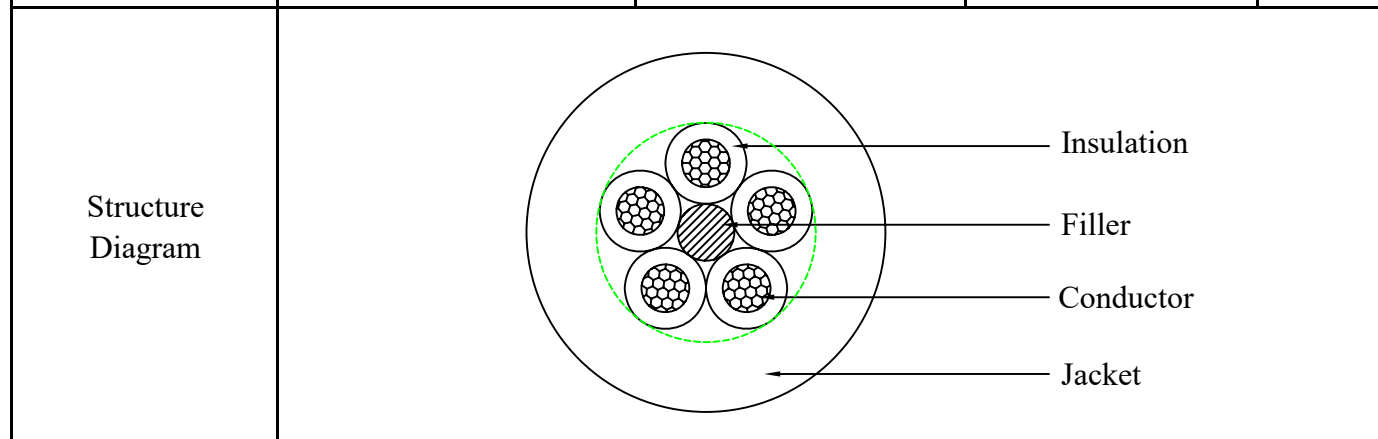


WCH CABLE INDUSTRIAL CO., LTD.

SPECIFICATION

STYLE:	UL20549	PART NO.	DATE	REV
COMPONENT:	16AWGX5C+F	WCH190520C5	2019-05-20	1.0



Technical Parameters

Conductor	Specification	16AWG	
	Material	Tinned Stranded Copper	
	Configuration	(mm)	TS26/0.25±0.007
Insulation	Average Thickness	(mm)	0.34
	Minimum Thickness	(mm)	0.27
	Over Diameter	(mm)	2.20±0.10
	Material	Polypropylene PP (RoHS)	
	Colour	Black, Red, Blue, Green, White	
Assembly	Filler	Cotton Rope	
	Spiral Shield	(mm)	/
	Cotton Paper	(mm)	/
Jacket	Average Thickness	(mm)	1.02
	Minimum Thickness	(mm)	0.82
	Over Diameter	(mm)	8.00±0.30
	Material	Polyurethane TPU	
	Colour	Black	
Electrical Capability	Rated Temperature	(°C)	80
	Rated Voltage	(V)	300
	Conductor Resistance	(Ω/KM 20°C)	14.6
	Insulation Resistance	(MΩ/KM 20°C)	100
Marking	Per standard.		